



Sigyn ^{Mkl}

sUGV Recon System

ODYSSEY
COMPATIBLE

**POCKET-SIZED, LIGHTWEIGHT THROWABLE GROUND ROBOT,
PURPOSE-BUILT TO COLLECT AND TRANSMIT REAL-TIME
AUDIO/VIDEO INTELLIGENCE WITH EXTREME EASE OF USE**

The **Sigyn Mkl** is a rugged, simple-to-use, throwable ground device designed to deliver support for indoor operations in difficult to access and hazardous places.

Designed and made in Europe with top in-class materials, this little robot will sustain heavy use and deliver reliable Audio/Video situational awareness.

Our Odyssey compatible sUGV provides the operator with front and back wide angle low light cameras, eight controllable IR LEDs and payload connection system, to execute complex tactical mission from a safe stand-off distance, in any light conditions.



Crash Proof

Main skeleton made of aviation grade carbon fiber and reinforced polycarbonate frames



Dual Camera

Embedded inertial motion sensor allowing smart drive modes and automatic forward facing camera selection



One-Hand Throw

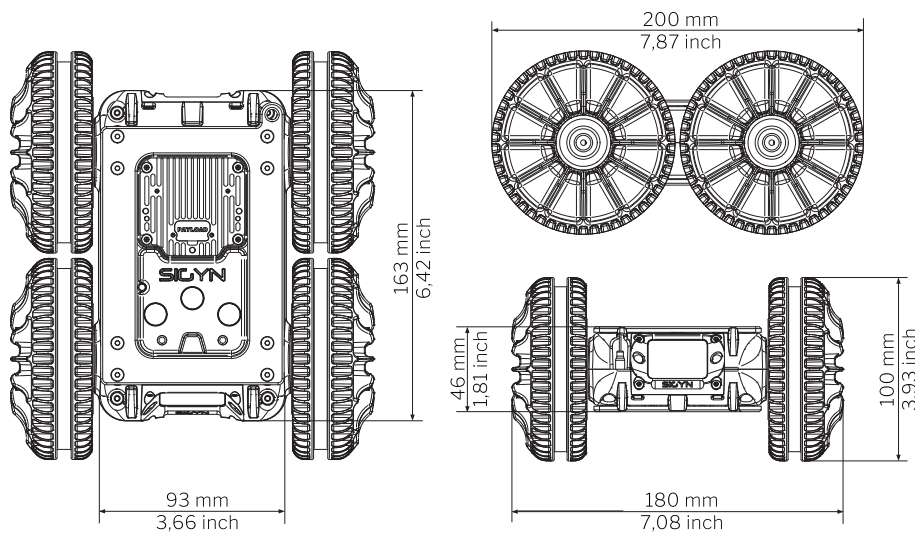
Light micro unmanned rover conceived to be thrown where needed to explore and relay intel



Removable Batteries

Uses market-standard batteries, swapped within 30 seconds

#1 BLUEPRINT



#2 SPECS

Average Speed	1,7 m/s 3,8 mph
Drive Endurance	120 min
Sentry Endurance	300 min
Range	150 m 164 yd
Weight w/o battery	1150 gr 2,53 lb
Max Payload	2 kg 4,40 lb
Ops Temperature	-20°C to 50°C -4°F to 122°F
Encryption	AES-256
Frequencies	C&C: 868/915 MHz A/V: 5,8 GHz
Power Supply	2x Li-Ion 3000mAh Replaceable <30 sec

Basic equipment

6-axis IMU, 2x EO/IR Camera,
HD Microphone, 8x IR LEDs

#3 FEATURES

- Embedded 6-axis accelerometer and gyroscope offering the pilot with **multiple assisted driving modes**
- **Good shock resistance** due to his lightweight design and rugged construction. Can be dropped in a basement, thrown onto a roof or fall down stairs as it sustains falls up to 6m | 19,6 ft
- **Symmetrical design and oversized wheels**, allowing the ground robot to negotiate small obstacles, turn in place at a high degree of precision CW/CCW and never be knocked over
- **High situational awareness** thanks to dual night/day camera with a 150° angle of view
- **Analog A/V signal**, scrambled via FPGA, which prevents lag or screen freezes
- **Dimmable and selectable IR LEDs** on front, back and top providing excellent video clarity and NVGs lighting without typical snowflake effect
- Controlled by a **multi-sUV Ground Controller, GCS MkII**, allowing an operator to select from across until 4 connected unmanned vehicles

Enhance the safety of indoor missions

#4 ADD-ONS



- Integrated connector for **additional payloads, sensors, and actuators**
- **Tactical Watch Screen** to feed entire team with sUAV A/V intel
- Custom **backpack and pouch**



GET IN TOUCH

contact@sky-hero.com
www.sky-hero.com

12 Allée de la Recherche
B-1070 Brussels - BELGIUM

 company/sky-hero-sa
 SKY-HERO

